

FIG. 3

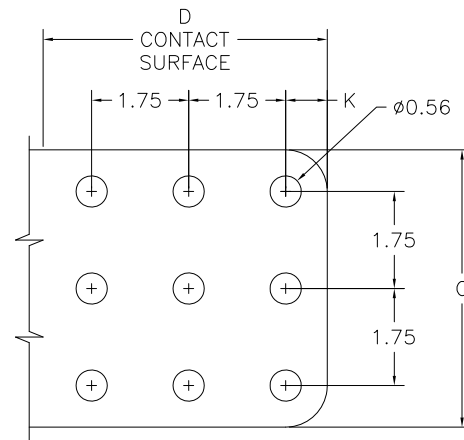


FIG. 4

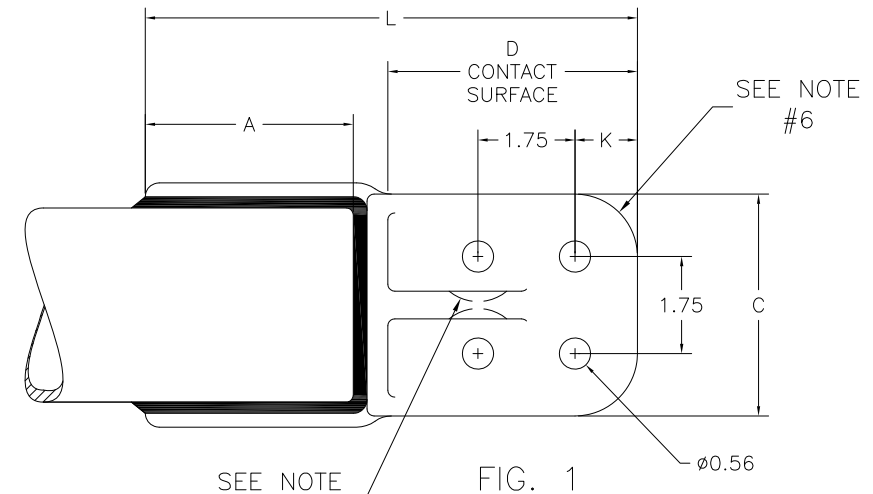


FIG. 1

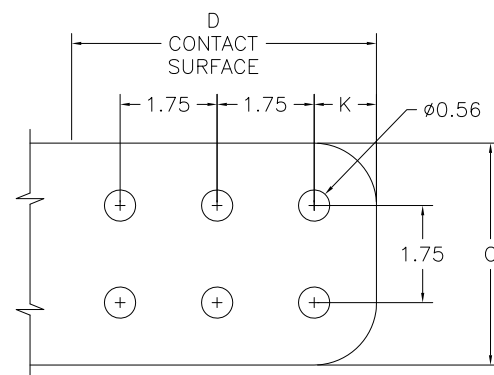


FIG. 5

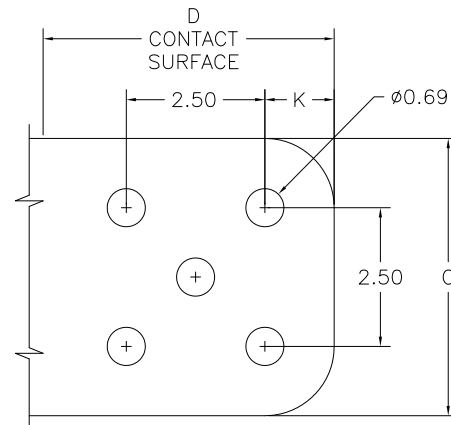


FIG. 6

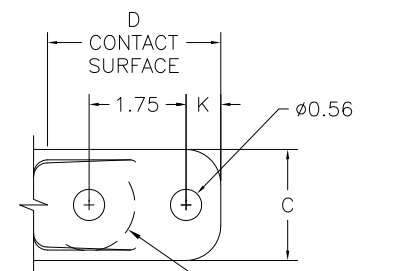
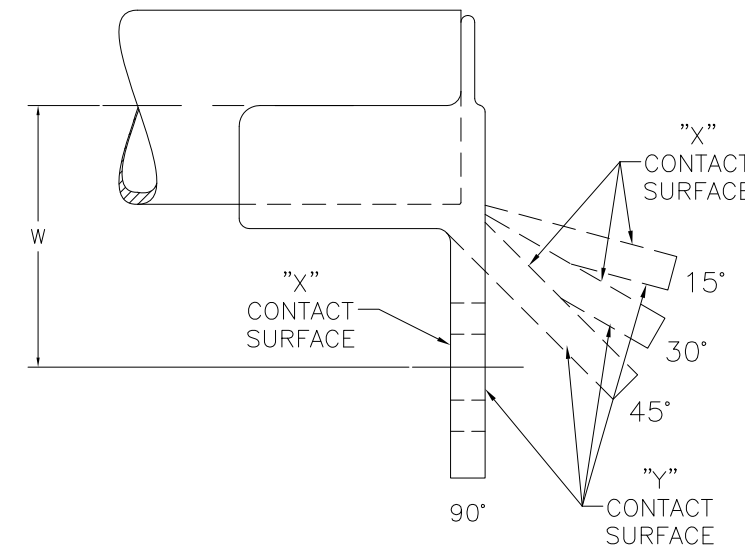
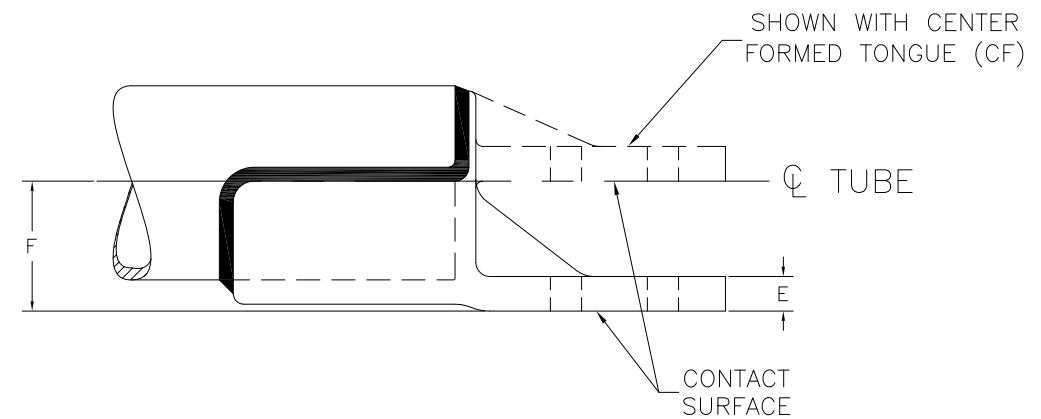


FIG. 2

SEE NOTE #4


NOTES:

1. MATERIAL: 356-T6 ALUMINUM ALLOY
2. DIMENSION IN INCHES.
3. CONNECTORS ARE AVAILABLE IN CENTER FORMED (CF) AND ANGLED TONGUES (15°, 30°, 45°, 60°, AND 90°). TO ORDER ADD SUFFIX TO CATALOG NUMBER. EXAMPLE (WSTF-30-D-CF)
4. CONNECTORS ARE PROVIDED WITH CLEARANCE TO RIB FOR STANDARD 1 1/16" DIA. WASHERS. CLEARANCE FOR LARGER WASHERS UP TO AND INCLUDING 1 5/8" DIA. WILL BE PROVIDED FOR BY THE ADDITION OF "BVW" TO CATALOG NUMBER. EXAMPLE (WSTF-20-D-BVW)
5. IF TONGUE IS FINISHED ON BOTH SIDES, RIB IS PARTIALLY REMOVED. EXAMPLE (WSTF-20-B2-XY)
6. SOME CONNECTORS WILL BE FURNISHED WITH SHARP CORNERS ON TONGUE.
7. OTHER DRILLING CONFIGURATIONS ARE AVAILABLE UPON REQUEST.
8. "WTR" SUFFIX DENOTES CONNECTOR WITH TWO RIBS.
9. "LDL" DENOTES CONNECTORS WITHOUT RIBS.
10. IF "XY" IS INSERTED INTO THE CATALOG NUMBER IN THE TABLE, IT REPRESENTS THE DIMENSIONS FOR A CONNECTOR FINISHED ON THE X CONTACT SURFACE "X", THE Y CONTACT SURFACE "Y", AND BOTH SURFACES "XY".



68009	1/11/2017	HG	HG	ANDERSON	HUBBELL POWER SYSTEMS		
EC #	DATE	CHG BY	RESP ENG	TITLE			
DESC OF DWG: ADD PART NUMBER WSTF10CY45 TO TABLE ADD PART NUMBER WSTF12CY45 TO TABLE				WELDED ALUMINUM TERMINAL			
REASON (S) FOR CHANGE: --				TUBE TO FLAT			
DISPOSITION OF MAT'L: --				SIZE	DWG NO.	CAT / PART / ASSY NO.	REV
				C	C-1291	SEE TABLE	61
				DO NOT SCALE THIS DRAWING	DRN BY WS	DATE 11/7/56	SHEET 1 of 6

CONFIDENTIAL: THIS DRAWING AND ITS CONTENTS ARE CONFIDENTIAL AND THE EXCLUSIVE PROPERTY OF HUBBELL POWER SYSTEMS. NO PUBLICATION, DISTRIBUTION OR COPIES MAY BE MADE WITHOUT THE WRITTEN CONSENT OF HUBBELL POWER SYSTEMS. HUBBELL POWER SYSTEMS UNPUBLISHED ALL RIGHTS RESERVED UNDER THE COPYRIGHT LAWS.

CATALOG NUMBER	IPS SIZE	FIG.	A	C	D	E	F	K	L	W
WSTF-06-B2	0.750	2	2.500	2.000	3.250	0.375	1.500	0.625	6.000	--
WSTF-06-B2-X/Y-30	0.750	2	1.250	2.000	3.250	0.375	--	0.625	4.688	--
WSTF-06-B2-X/Y-45	0.750	2	2.500	2.000	3.250	0.375	--	0.625	--	--
WSTF-06-B2-Y-90	0.750	2	2.500	2.000	3.250	0.375	--	0.625	--	2.813
WSTF-06-C	0.750	1	2.500	3.000	3.250	0.375	1.500	0.625	6.000	--
WSTF-06-C-CF	0.750	1	2.500	3.000	3.250	0.375	--	0.625	6.250	--
WSTF-10-B	1.000	2	2.750	1.500	3.250	0.375	1.188	0.625	6.250	--
WSTF-10-B2	1.000	2	2.750	2.000	3.250	0.375	1.188	0.625	6.250	--
WSTF-10-B2-CF	1.000	2	2.750	2.000	3.250	0.375	--	0.625	6.875	--
WSTF-10-B2-X/Y-15	1.000	2	2.750	2.000	3.250	0.375	--	0.625	--	--
WSTF-10-B2-X/Y-30	1.000	2	1.250	2.000	3.250	0.375	--	0.625	4.625	--
WSTF-10-B2-X/Y-45	1.000	2	2.750	2.000	3.250	0.375	--	0.625	--	--
WSTF-10-B2-Y-90	1.000	2	2.750	2.000	3.250	0.375	--	0.625	--	3.313
WSTF-10-C	1.000	1	2.750	3.000	3.250	0.375	1.188	0.625	6.125	--
WSTF-10-C-CF	1.000	1	4.250	3.000	3.250	0.375	--	0.625	6.875	--
WSTF-10-C-X/Y-45	1.000	1	3.000	3.000	3.250	0.375	--	0.625	6.250	--
WSTF-10-C-Y-90	1.000	1	2.750	3.000	3.250	0.375	--	0.625	--	3.313
WSTF-10-E	1.000	4	2.750	5.000	5.250	0.500	--	0.750	8.250	--
WSTF-12-B2	1.250	2	3.000	2.000	3.250	0.375	1.375	0.625	6.625	--
WSTF-12-B2-LPL	1.250	2	3.000	2.000	3.250	0.375	1.375	0.625	6.625	--
WSTF-12-B2-X/Y-15	1.250	2	1.750	2.000	3.250	0.375	--	0.625	5.750	--
WSTF-12-B2-Y-90	1.250	2	3.000	2.000	3.250	0.375	--	0.625	--	3.250
WSTF-12-C	1.250	1	3.000	3.000	3.250	0.375	1.375	0.625	6.375	--
WSTF-12-C-CF	1.250	1	3.000	3.000	3.250	0.375	--	0.625	6.750	--
WSTF-12-C-X/Y-45	1.250	1	3.000	3.000	3.250	0.375	--	0.625	6.250	--
WSTF-12-C-Y-90	1.250	1	3.000	3.000	3.000	0.375	--	0.625	--	3.000
WSTF-12-D	1.250	1	3.000	4.000	4.250	0.375	1.375	1.125	7.625	--
WSTF-12-D-LPL	1.250	1	3.000	4.000	4.250	0.375	1.375	1.125	7.625	--
WSTF-12-D-X/Y-90	1.250	1	3.000	4.000	4.250	0.375	--	1.125	--	--
WSTF-14-B2	1.500	2	3.250	2.000	3.250	0.438	1.500	0.625	6.750	--
WSTF-14-B2-CF	1.500	2	3.250	2.000	3.250	0.438	--	0.625	7.188	--
WSTF-14-B2-X/Y-45	1.500	2	3.250	2.000	3.250	0.375	--	0.625	--	--
WSTF-14-B2-Y-90	1.500	2	3.375	2.000	3.250	0.375	--	0.625	--	3.625
WSTF-14-C	1.500	1	3.250	3.000	3.250	0.375	1.500	0.625	6.750	--
WSTF-14-C-CF	1.500	1	3.250	3.000	3.250	0.375	--	0.625	7.375	--

68009	1/11/2017	HG	HG	ANDERSON	 HUBBELL POWER SYSTEMS
EC #	DATE	CHG BY	RESP ENG		
DESC OF DWG: SEE PAGE 1.				CONFIDENTIAL: THIS DRAWING AND ITS CONTENTS ARE CONFIDENTIAL AND THE EXCLUSIVE PROPERTY OF HUBBELL POWER SYSTEMS. NO PUBLICATION, DISTRIBUTION OR COPIES MAY BE MADE WITHOUT THE WRITTEN CONSENT OF HUBBELL POWER SYSTEMS. HUBBELL POWER SYSTEMS UNPUBLISHED ALL RIGHTS RESERVED UNDER THE COPYRIGHT LAWS.	
REASON (S) FOR CHANGE: --				TITLE WELDED ALUMINUM TERMINAL TUBE TO FLAT	
DISPOSITION OF MATERIAL: --				SIZE C	DWG NO. C-1291
				CAT / PART / ASSY NO. SEE TABLE	REV 61
				DO NOT SCALE THIS DRAWING	DRN BY WS
				DATE 11/7/56	SHEET 2 of 6

CATALOG NUMBER	IPS SIZE	FIG.	A	C	D	E	F	K	L	W
WSTF-14-C-X/Y-30	1.500	1	3.250	3.000	3.250	0.375	--	0.625	--	--
WSTF-14-C-X/Y-45	1.500	1	3.250	3.000	3.250	0.375	--	0.625	--	--
WSTF-14-C-Y-90	1.500	1	3.250	3.000	3.250	0.375	--	1.125	--	3.125
WSTF-14-D	1.500	1	2.563	4.000	4.250	0.375	1.469	1.125	6.938	--
WSTF-14-D-Y-90	1.500	1	3.250	4.000	4.250	0.375	--	1.125	--	3.563
WSTF-20-B2	2.000	2	3.500	2.000	3.250	0.438	1.750	0.625	7.125	--
WSTF-20-B2-CF	2.000	2	3.500	2.000	3.250	0.438	--	0.625	7.125	--
WSTF-20-B2-X/Y-15	2.000	2	3.500	2.000	3.250	0.438	--	0.625	7.688	--
WSTF-20-B2-X/Y-30	2.000	2	3.500	2.000	3.250	0.438	--	0.625	--	--
WSTF-20-B2-X/Y-60	2.000	2	3.500	2.000	3.250	0.438	--	0.625	5.875	--
WSTF-20-B2-Y-90	2.000	2	3.500	2.000	3.250	0.375	--	0.625	--	3.750
WSTF-20-C	2.000	1	1.750	3.000	3.250	0.375	1.750	0.625	5.500	--
WSTF-20-C-X/Y-45	2.000	1	1.750	3.000	3.250	0.375	--	0.625	--	--
WSTF-20-C-CF	2.000	1	3.500	3.000	3.250	0.375	--	0.625	7.375	--
WSTF-20-C-Y-90	2.000	1	3.500	3.000	3.250	0.375	--	0.625	--	4.000
WSTF-20-D	2.000	1	3.500	4.000	4.250	0.500	1.750	1.125	7.875	--
WSTF-20-D-CF	2.000	1	3.500	4.000	4.250	0.500	--	1.125	8.375	--
WSTF-20-D-X/Y-45	2.000	1	3.500	4.000	4.250	0.375	--	1.125	--	--
WSTF-20-D-Y-90	2.000	1	3.500	4.000	4.250	0.375	--	1.125	--	4.500
WSTF-24-B2	2.500	2	3.750	2.000	3.250	0.563	2.000	0.625	7.500	--
WSTF-24-B2-X/Y-60	2.500	2	3.750	2.000	3.250	0.563	--	0.625	--	--
WSTF-24-B2-Y-90	2.500	2	3.750	2.000	3.250	0.625	--	0.625	--	3.875
WSTF-24-C	2.500	1	3.750	3.000	3.250	0.563	2.000	0.625	7.500	--
WSTF-24-C-CF	2.500	1	3.750	3.000	3.250	0.563	--	0.625	7.500	--
WSTF-24-C-X/Y-15	2.500	1	3.750	3.000	3.250	0.563	--	0.625	--	--
WSTF-24-C-X/Y-30	2.500	1	3.750	3.000	3.250	0.563	--	0.625	--	--
WSTF-24-C-X/Y-60	2.500	1	3.750	3.000	3.250	0.563	--	0.625	--	--
WSTF-24-C-Y-90	2.500	1	3.750	3.000	3.250	0.563	--	0.625	--	3.625
WSTF-24-D	2.500	1	3.750	4.000	4.250	0.500	2.000	1.125	8.250	--
WSTF-24-D-CF	2.500	1	3.750	4.000	4.250	0.500	--	1.125	8.500	--
WSTF-24-D-X/Y-CF	2.500	1	3.750	4.000	4.250	0.500	--	1.125	8.500	--
WSTF-24-D-X/Y-15	2.500	1	3.750	4.000	4.250	0.500	--	1.125	--	--
WSTF-24-D-X/Y-30	2.500	1	3.750	4.000	4.250	0.500	--	1.125	--	--

68009	1/11/2017	HG	HG	 
EC #	DATE	CHG BY	RESP ENG	
DESC OF DWG: SEE PAGE 1.				<small>CONFIDENTIAL: THIS DRAWING AND ITS CONTENTS ARE CONFIDENTIAL AND THE EXCLUSIVE PROPERTY OF HUBBELL POWER SYSTEMS. NO PUBLICATION, DISTRIBUTION OR COPIES MAY BE MADE WITHOUT THE WRITTEN CONSENT OF HUBBELL POWER SYSTEMS. HUBBELL POWER SYSTEMS UNPUBLISHED ALL RIGHTS RESERVED UNDER THE COPYRIGHT LAWS.</small>
REASON (S) FOR CHANGE: -- DISPOSITION OF MAT'L: --				
TITLE WELDED ALUMINUM TERMINAL TUBE TO FLAT			SIZE DWG NO. CAT / PART / ASSY NO. REV C C-1291 SEE TABLE 61	DO NOT SCALE THIS DRAWING DRN BY WS DATE 11/7/56 SHEET 3 of 6


CATALOG NUMBER	IPS SIZE	FIG.	A	C	D	E	F	K	L	W
WSTF-24-D-X/Y-45	2.500	1	3.750	4.000	4.250	0.500	--	1.125	--	--
WSTF-24-D-Y-90	2.500	1	3.750	4.000	4.250	0.500	--	1.125	--	4.375
WSTF-30-B2	3.000	2	4.000	2.000	3.250	0.688	2.375	0.625	7.813	--
WSTF-30-B2-X/Y-15	3.000	2	4.000	2.000	3.250	0.688	--	0.625	--	--
WSTF-30-B2-X/Y-45	3.000	2	4.000	2.000	3.250	0.688	--	0.625	--	--
WSTF-30-B2-Y-90	3.000	2	4.000	2.000	3.250	0.688	--	0.625	--	4.250
WSTF-30-C	3.000	1	2.500	3.000	3.250	0.625	2.375	0.625	6.313	--
WSTF-30-C-CF	3.000	1	4.000	3.000	3.250	0.625	--	0.625	7.875	--
WSTF-30-C-X/Y-15	3.000	1	4.000	3.000	3.250	0.625	--	0.625	7.938	--
WSTF-30-C-X/Y-30	3.000	1	4.000	3.000	3.250	0.625	--	0.625	7.688	--
WSTF-30-C-X/Y-60	3.000	1	4.000	3.000	3.250	0.625	--	0.625	--	--
WSTF-30-C-Y-90	3.000	1	4.000	3.000	3.250	0.625	--	0.625	--	4.000
WSTF-30-D	3.000	1	4.000	4.000	4.250	0.625	2.375	1.125	8.938	--
WSTF-30-D-CF	3.000	1	4.000	4.000	4.250	0.625	--	1.125	8.875	--
WSTF-30-D-X/Y-CF	3.000	1	1.750	4.000	4.125	0.625	--	1.125	6.625	--
WSTF-30-D-DE	3.000	1	4.000	4.000	4.250	0.625	1.875	1.125	8.375	--
WSTF-30-D-WTR	3.000	1	4.000	4.000	4.250	0.625	2.343	1.125	8.750	--
WSTF-30-DL-CF	3.000	5	2.500	4.000	6.125	0.625	--	1.125	9.250	--
WSTF-30-D-X/Y-45	3.000	1	4.000	4.000	4.250	0.625	--	1.125	--	--
WSTF-30-D-X/Y-60	3.000	1	1.750	4.000	4.125	0.625	--	1.125	--	--
WSTF-30-D-X/Y-75	3.000	1	4.000	4.000	4.250	0.625	--	1.125	--	--
WSTF-30-D-Y-90	3.000	1	4.000	4.000	4.250	0.625	--	1.125	--	4.719
WSTF-30-N-CF	3.000	3	2.500	6.000	4.125	0.500	--	1.125	7.250	--
WSTF-34-B-CF	3.500	2	4.250	1.500	3.250	0.750	--	0.625	8.063	--
WSTF-34-B2	3.500	2	4.250	2.000	3.375	0.688	2.594	0.625	8.000	--
WSTF-34-B2-CF	3.500	2	4.250	2.000	3.250	0.688	--	0.625	8.063	--
WSTF-34-B2-Y-90	3.500	2	1.750	2.000	3.250	0.688	--	0.625	--	4.250
WSTF-34-C	3.500	1	4.250	3.000	3.250	0.625	2.625	0.625	7.750	--
WSTF-34-C-CF	3.500	1	4.250	3.000	3.250	0.625	--	0.625	8.438	--
WSTF-34-C-X/Y-45	3.500	1	4.250	3.000	3.250	0.625	--	0.625	--	--
WSTF-34-C-Y-90	3.500	1	4.250	3.000	3.250	0.625	--	1.125	--	4.250
WSTF-34-D	3.500	1	4.250	4.000	4.250	0.625	2.625	1.125	8.750	--
WSTF-34-D-LPL	3.500	1	4.250	4.000	4.250	0.625	3.000	1.125	9.000	--

68009	1/11/2017	HG	HG
EC #	DATE	CHG BY	RESP ENG
DESC OF DWG: SEE PAGE 1.			
REASON (S) FOR CHANGE: --			
DISPOSITION OF MAT'L: --			
ANDERSON®		HUBBELL® POWER SYSTEMS	
CONFIDENTIAL: THIS DRAWING AND ITS CONTENTS ARE CONFIDENTIAL AND THE EXCLUSIVE PROPERTY OF HUBBELL POWER SYSTEMS. NO PUBLICATION, DISTRIBUTION OR COPIES MAY BE MADE WITHOUT THE WRITTEN CONSENT OF HUBBELL POWER SYSTEMS. HUBBELL POWER SYSTEMS UNPUBLISHED ALL RIGHTS RESERVED UNDER THE COPYRIGHT LAWS.		TITLE WELDED ALUMINUM TERMINAL TUBE TO FLAT	
SIZE	DWG NO.	CAT / PART / ASSY NO.	REV
C	C-1291	SEE TABLE	61
DO NOT SCALE THIS DRAWING	DRN BY WS	DATE 11/7/56	SHEET 4 OF 6

CATALOG NUMBER	IPS SIZE	FIG.	A	C	D	E	F	K	L	W
WSTF-34-D-CF	3.500	1	4.250	4.000	4.250	0.625	--	1.125	9.125	--
WSTF-34-D-CF-CE1	3.500	1	4.250	4.000	4.250	0.750	--	1.125	8.750	--
WSTF-34-D-CF-X/Y-CE1	3.500	1	4.250	4.000	4.250	0.875	--	1.125	8.750	--
WSTF-34-D-CF-NM	3.500	1	4.250	4.000	4.250	0.625	--	1.125	9.125	--
WSTF-34-D-X/Y-30	3.500	1	4.250	4.000	4.250	0.625	--	1.125	--	--
WSTF-34-D-X/Y-45	3.500	1	4.250	4.000	4.250	0.625	--	1.125	--	--
WSTF-34-D-Y-90	3.500	1	4.250	4.000	4.250	0.625	--	1.125	--	4.750
WSTF-40-B2	4.000	2	4.250	2.000	3.625	1.000	2.844	0.625	8.125	--
WSTF-40-B2-CF	4.000	2	4.250	2.000	3.250	1.000	--	0.625	8.188	--
WSTF-40-B2-X/Y-75	4.000	2	4.250	2.000	3.250	1.000	--	0.625	--	--
WSTF-40-B2-X/Y-90	4.000	2	4.250	2.000	3.250	1.000	--	0.625	--	5.125
WSTF-40-C	4.000	1	4.250	3.000	3.250	0.750	2.844	0.625	7.938	--
WSTF-40-C-CF	4.000	1	4.250	3.000	3.250	0.750	--	0.625	8.250	--
WSTF-40-C-X/Y-60	4.000	1	4.250	3.000	3.250	0.750	--	0.625	--	--
WSTF-40-C-Y-90	4.000	1	4.250	3.000	3.250	0.750	--	0.625	--	5.125
WSTF-40-D	4.000	1	3.000	4.000	4.250	0.750	2.875	1.125	7.750	--
WSTF-40-D-LPL	4.000	1	4.250	4.000	4.250	0.750	2.844	1.125	9.000	--
WSTF-40-D-CF	4.000	1	3.000	4.000	4.250	0.750	--	1.125	7.938	--
WSTF-40-D-X/Y-CF	4.000	1	4.250	4.000	4.250	0.750	--	1.125	9.250	--
WSTF-40-D-4.75	4.000	1	4.250	4.000	4.250	0.750	4.750	1.125	9.188	--
WSTF-40-D-Y-90	4.000	1	4.250	4.000	4.250	0.750	--	1.125	5.625	--
WSTF-40-K	4.000	6	4.250	5.000	5.250	0.750	2.844	1.125	10.000	--
WSTF-44-C-CF	4.500	1	4.250	3.000	3.250	0.750	--	0.625	8.000	--
WSTF-44-D	4.500	1	4.250	4.000	4.250	0.750	3.500	1.125	9.000	--
WSTF-44-E	4.500	4	4.500	5.000	5.250	0.750	3.500	0.750	10.500	--
WSTF-50-C	5.000	1	3.000	3.000	3.250	0.750	3.375	0.625	6.875	--
WSTF-50-C-CF	5.000	1	4.250	3.000	3.250	0.750	--	0.625	8.250	--
WSTF-50-C-X/Y-60	5.000	1	4.250	3.000	3.250	0.750	--	0.625	--	--
WSTF-50-C-Y-90	5.000	1	4.250	3.000	3.250	0.750	--	0.625	--	5.750
WSTF-50-D	5.000	1	3.000	4.000	4.250	0.750	3.625	1.125	7.750	--
WSTF-50-D-X/Y	5.000	1	4.250	4.000	4.250	0.750	3.250	1.125	9.000	--
WSTF-50-D-CF	5.000	1	3.000	4.000	4.250	0.750	--	1.125	8.000	--
WSTF-50-D-X/Y-CF	5.000	1	3.000	4.000	4.250	0.750	--	1.125	8.000	--

68009	1/11/2017	HG	HG
EC #	DATE	CHG BY	RESP ENG
DESC OF DWG: SEE PAGE 1.			
REASON (S) FOR CHANGE: --			
DISPOSITION OF MAT'L: --			
ANDERSON®		HUBBELL® POWER SYSTEMS	
CONFIDENTIAL: THIS DRAWING AND ITS CONTENTS ARE CONFIDENTIAL AND THE EXCLUSIVE PROPERTY OF HUBBELL POWER SYSTEMS. NO PUBLICATION, DISTRIBUTION OR COPIES MAY BE MADE WITHOUT THE WRITTEN CONSENT OF HUBBELL POWER SYSTEMS. HUBBELL POWER SYSTEMS UNPUBLISHED ALL RIGHTS RESERVED UNDER THE COPYRIGHT LAWS.		TITLE WELDED ALUMINUM TERMINAL TUBE TO FLAT	
SIZE	DWG NO.	CAT / PART / ASSY NO.	REV
C	C-1291	SEE TABLE	61
DO NOT SCALE THIS DRAWING	DRN BY WS	DATE 11/7/56	SHEET 5 of 6

CATALOG NUMBER	IPS SIZE	FIG.	A	C	D	E	F	K	L	W
WSTF-50-D-X/Y-30	5.000	1	4.250	4.000	4.250	0.750	--	1.125	--	--
WSTF-50-D-X/Y-60	5.000	1	4.250	4.000	4.250	0.750	--	1.125	--	--
WSTF-50-D-Y-90	5.000	1	4.250	4.000	4.250	0.750	--	1.125	--	6.250
WSTF-50-K-UD	5.000	6	4.250	5.000	5.250	0.750	3.500	1.250	10.375	--
WSTF-60-C	6.000	1	4.250	3.000	3.250	1.188	4.000	0.625	8.625	--
WSTF-60-C-CF	6.000	1	4.250	3.000	3.250	1.000	--	0.625	8.250	--
WSTF-60-D	6.000	1	4.250	4.000	4.250	1.000	4.000	1.125	9.250	--
WSTF-60-D-CF	6.000	1	3.000	4.000	4.250	1.000	--	1.125	8.188	--
WSTF-60-D-X/Y-90	6.000	1	4.250	4.000	4.250	1.000	--	1.125	--	6.000
WSTF-60-N	6.000	3	3.000	6.000	4.250	0.750	4.000	1.125	8.250	--
WSTF-60-N-CF	6.000	3	3.000	6.000	4.250	0.750	--	1.125	8.625	--
WSTF-8-O.D.-D-CF	8.000 O.D.	1	4.000	4.000	4.250	1.500	--	1.125	9.250	--

68009	1/11/2017	HG	HG	ANDERSON	 HUBBELL POWER SYSTEMS
EC #	DATE	CHG BY	RESP ENG		TITLE WELDED ALUMINUM TERMINAL TUBE TO FLAT
DESC OF DWG: SEE PAGE 1.				CONFIDENTIAL: THIS DRAWING AND ITS CONTENTS ARE CONFIDENTIAL AND THE EXCLUSIVE PROPERTY OF HUBBELL POWER SYSTEMS. NO PUBLICATION, DISTRIBUTION OR COPIES MAY BE MADE WITHOUT THE WRITTEN CONSENT OF HUBBELL POWER SYSTEMS. HUBBELL POWER SYSTEMS UNPUBLISHED ALL RIGHTS RESERVED UNDER THE COPYRIGHT LAWS.	SIZE DWG NO. CAT / PART / ASSY NO. REV
REASON (S) FOR CHANGE: -- DISPOSITION OF MAT'L: --					C C-1291 SEE TABLE 61
DO NOT SCALE THIS DRAWING		DRN BY WS	DATE 11/7/56	SHEET 6 of 6	